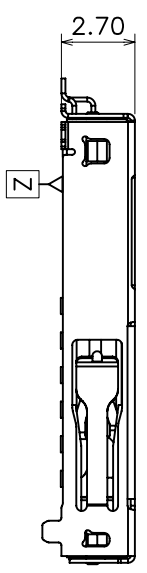
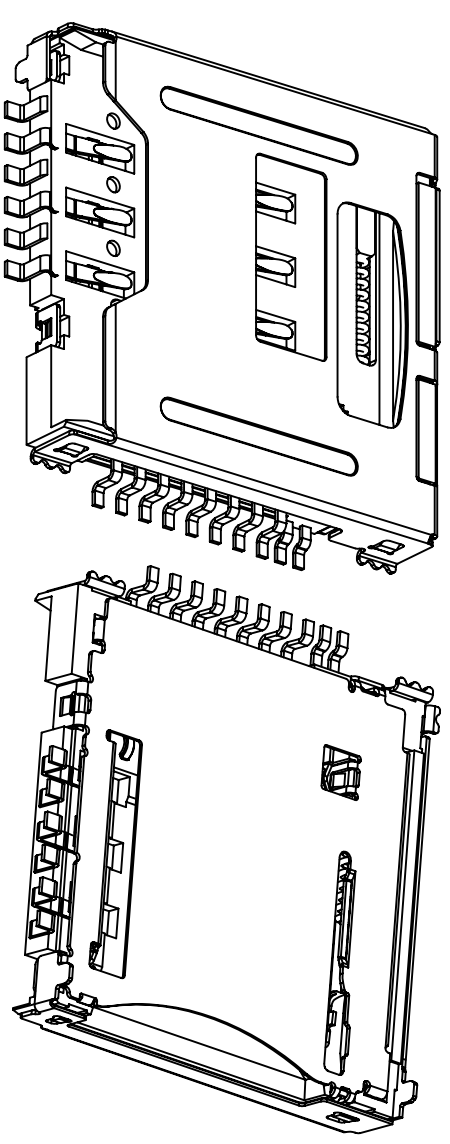
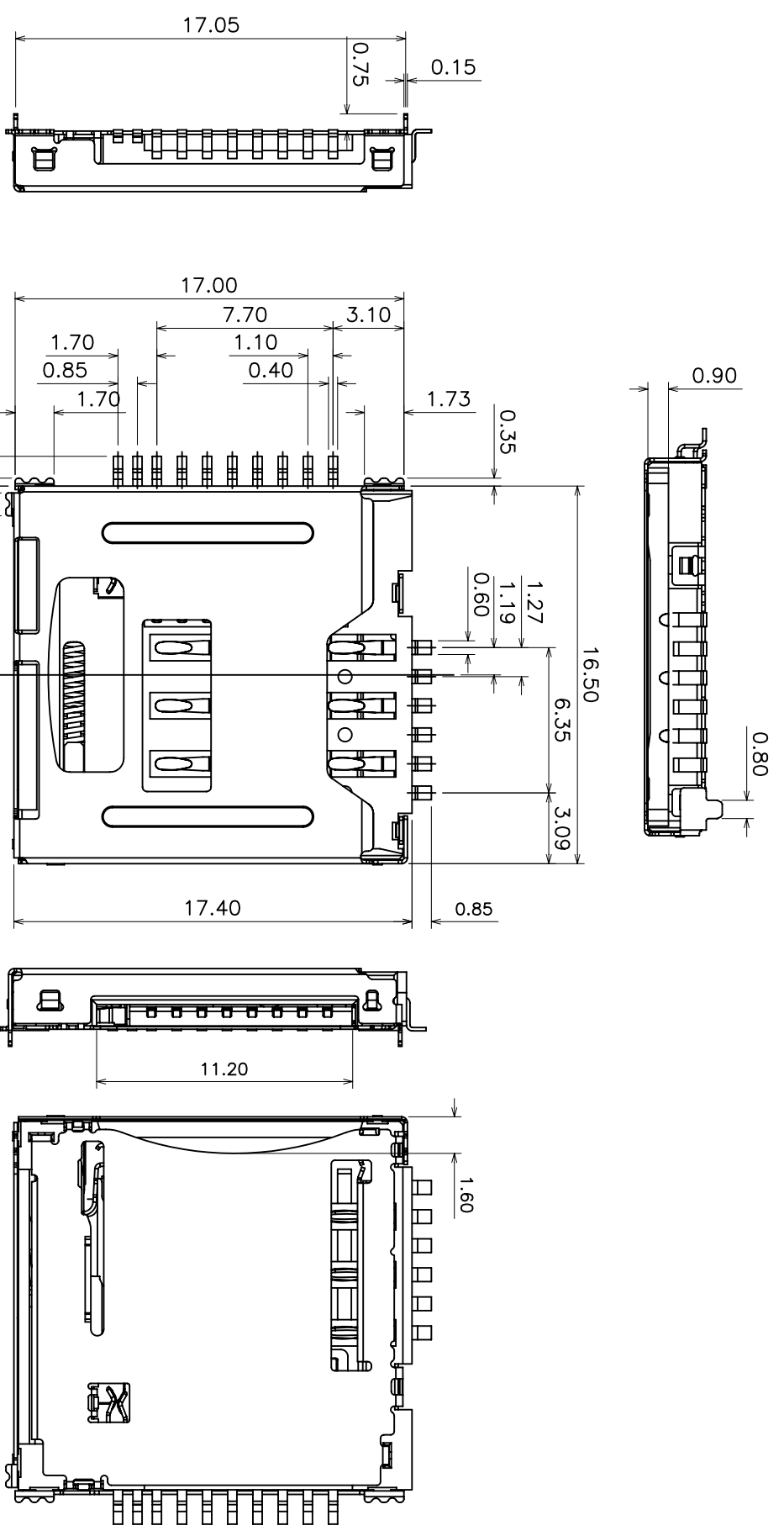


SIGN	DATE	DESCRIPTION	APPROVER
Ⓐ	07.8.20	NEW	MIKE
Ⓑ			
Ⓒ			



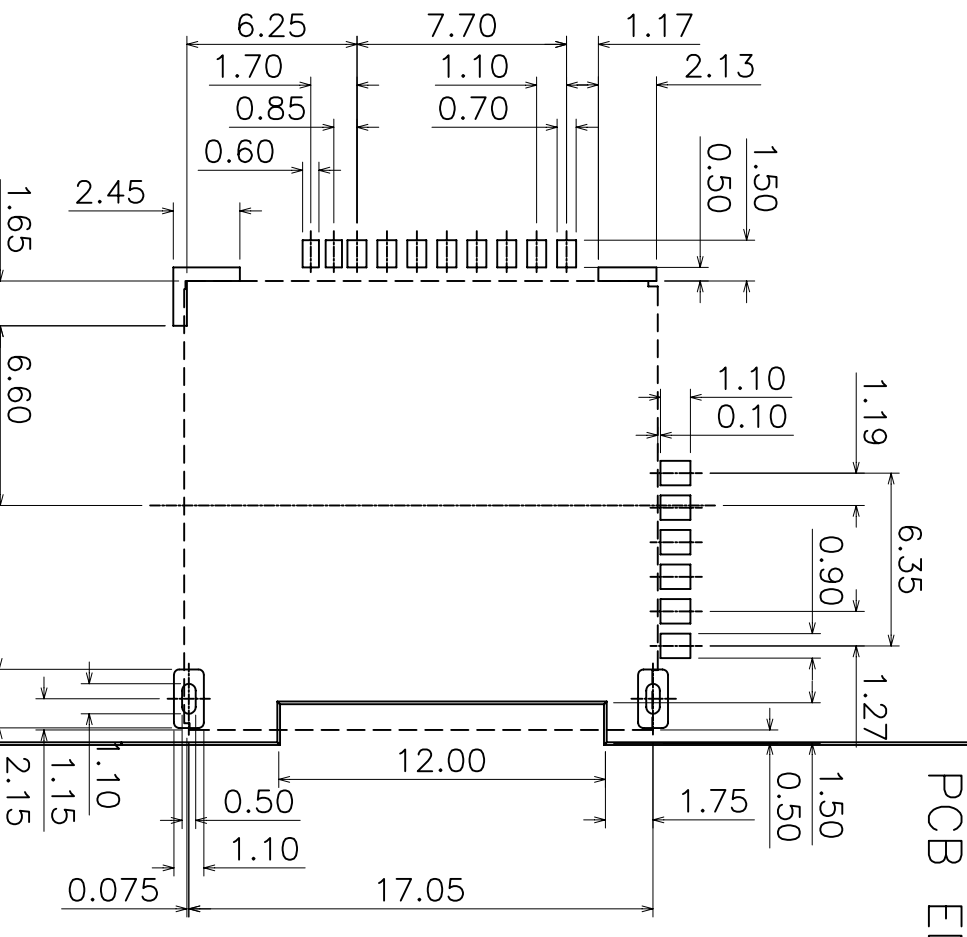
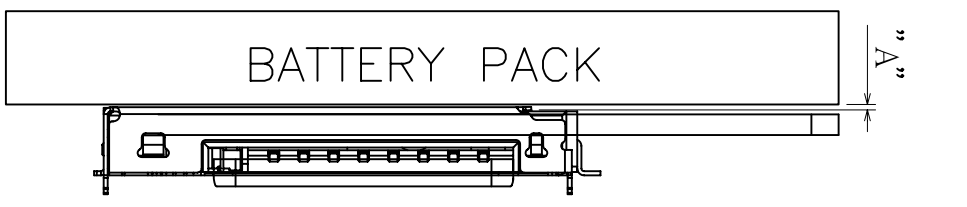
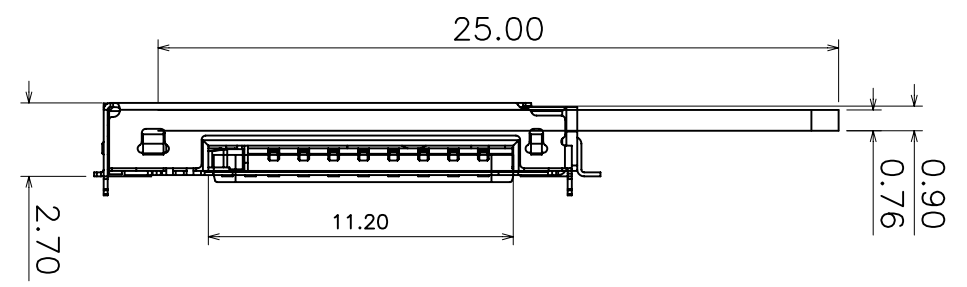
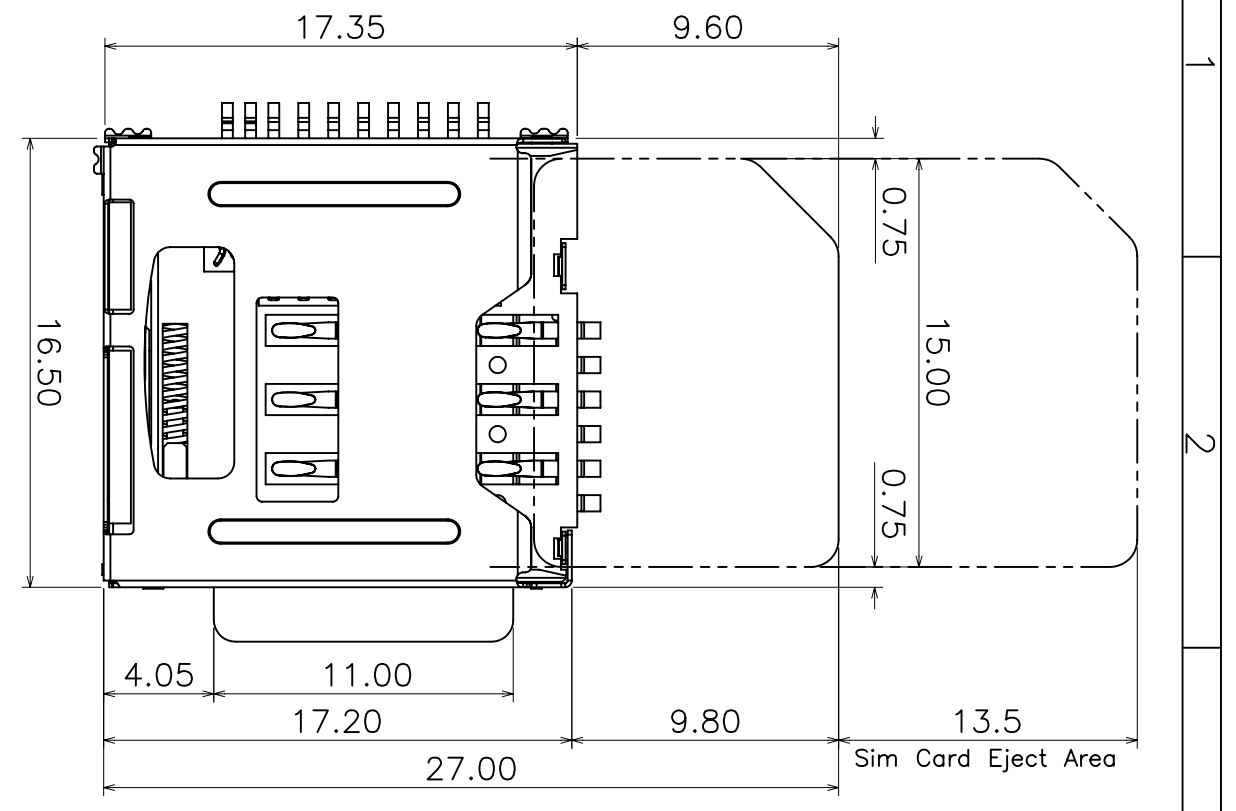
- Note:
- 1.Material: See Table
 - 2.Finishes:
 - 2-1 Contact & Switch & Detect: Nickel Underplated
 - 2-2 Top Shell: 3u" MIN. Gold Flash Over Nickel Underplated on Solder Pad
 - 2-3 Coplanarity of Solderails : 0.10MAX.
 - 2-4 Misalignment of Solder Tail From "Z" Upper Direction 0.05 MAX. , Lower Direction 0.05 MAX.
 - 3.Mechanical Specification: Repeated 10000 Times Mating and Unmating Cycles and Still Meet Electrical Characteristics
 - 4.Electrical Specification:
 - 5-1 Rated Current (Per Contact): 0.5Amps MAX and Temperature Rise Should be 30°C MAX.
 - 5-2 Insulation Resistance(IR):1000 Megohms MIN.
 - 5-3 Dielectric With Standing Voltage: 500VAC
 - 5-4 Contact Resistance : 100 Milliohms MAX.

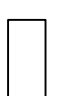
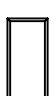

NO	PART NAME	MATERIAL	COLOR	FINISH	REMARKS
12	Switch B	P/P Bronze		Au Plated	
11	Switch A	P/P Bronze		Au Plated	
10	Short Pin	P/P Bronze		Au Plated	
9	Crank-Axle	SUS			
8	Coil Spring	SWPB		Ni Plated	
7	Lock Spring	SUS			
6	Bottom Shell	SUS			
5	Top Shell	SUS		Au Plated	
4	SIM Contact	P/P Bronze		Au Plated	
3	TF Contact	P/P Bronze		Au Plated	
2	Slider	Thermal Plastic	Black		UL94V-0
1	Housing	PA9T & LCP	Black		UL94V-0

GENERAL TOLERANCE			UNITS	NAME	TITLE:	
SELECT	TOL		mm	PART NO.	SIM+TF 21N1 CONNECTOR 2.70mm HEIGHT	
✓	1	2	3	ATOM0100500500004		
X.XXX	±0.150,050,0.15					
X.XX	±0.200,130,0.25					
X.X	±0.250,0.25	0.5				
X.	±	0.381,0.00				
	ANGLE ±4°					

APPD:	MIKE	DWG NO.	21N1 CARD
CHKD:	Vicky	SCALE	SHEET
DR:	Nancy	1 OF 3	REV

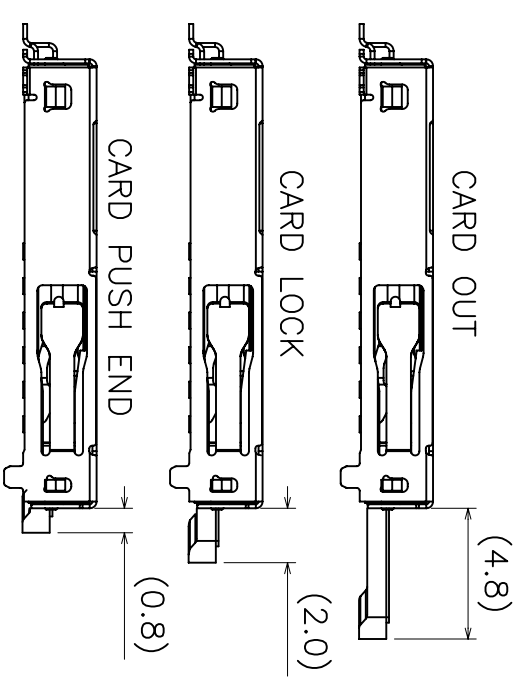
SIGN DATE	07.8.20	DESCRIPTION	NEW	APPROVER	MIKE
Ⓐ					
Ⓑ					
Ⓒ					



-  Land area
-  PCB Edge
-  CONN Outline

Recommended PCB Pattern Layout

General Tolerance: ± 0.05



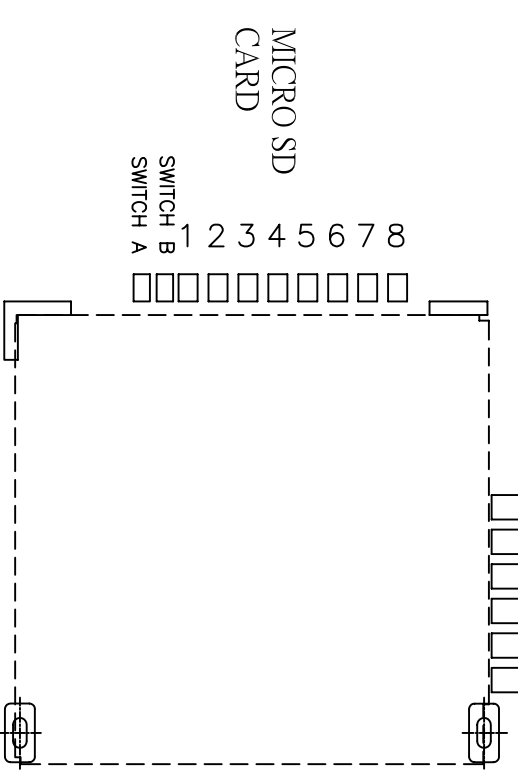
NO	PART NAME	MATERIAL	COLOR	FINISH	REMARKS

GENERAL TOLERANCE			UNITS	NAME		TITLE:	
SELECT	✓		mm	PART NO.		SIM+TF 21N1 CONNECTOR 2.70mm HEIGHT	
TOL	1	2		ATOM0100500500004		DWG NO.	
ON.				FINISH		21N1 CARD	
X.XXX				NONE			
X.XXX				APPD:		MIKE	
X.XX				CHKD:		Vicky	
X.XX				DR:		Nancy	
X.X				SCALE		SHEET	
X.X				1:1		2 OF 3	
ANGLE				REV		A	

SIGNATURE	DATE	DESCRIPTION	APPROVER
Ⓐ	07.8.20	NEW	MIKE
Ⓑ			
Ⓒ			

SIM CARD

C7 C3 C6 C2 C5 C1

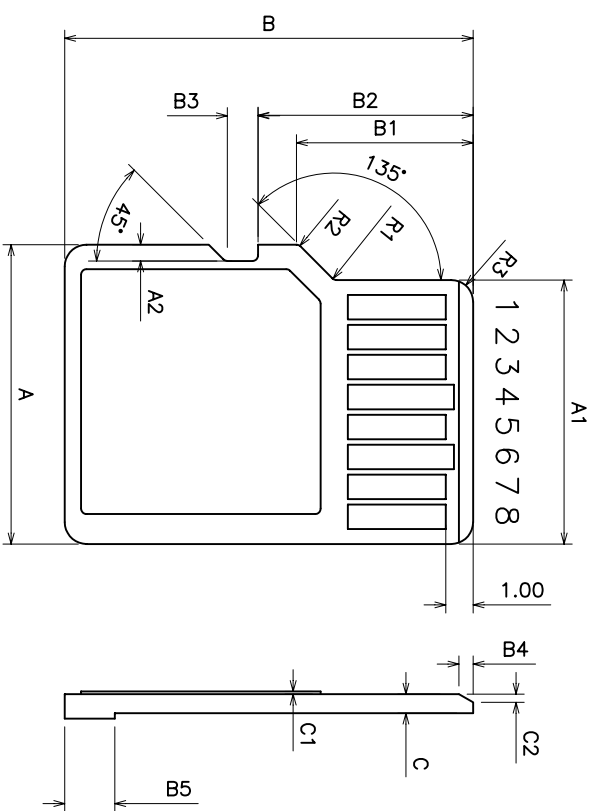
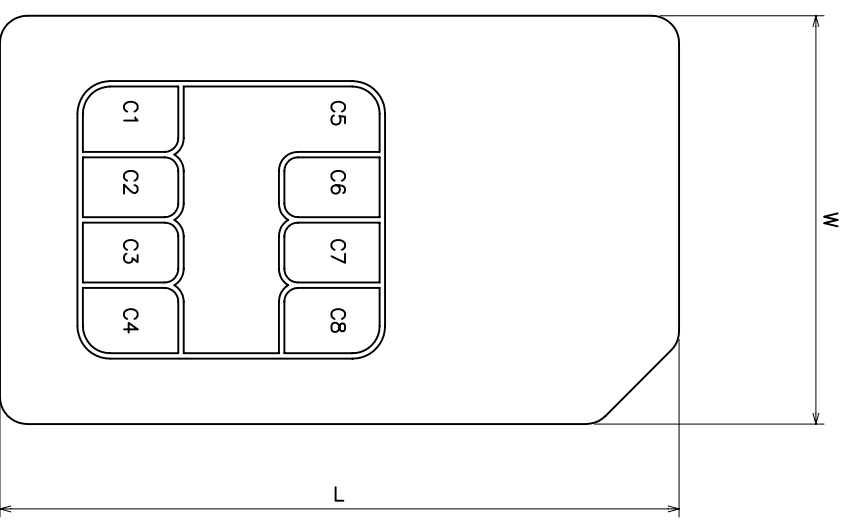


CIRCUIT POSITION

Pin No.	NAME	TYPE	DESCRIPTION
1	DATA2	I/O/PP	Date Line[bit2]
2	CD/DAT3	I/O/PP	Card Detect Date Line[bit3]
3	CMMD	PP	Command Response
4	VDD	S	Supply Voltage
5	CLK	I	Clock
6	VSS	S	Supply Voltage Ground
7	DAT0	I/O/PP	Date Line[bit0]
8	DAT1	I/O/PP	Date Line[bit1]

Pin No.	NAME
C1	VCC
C2	RST
C3	CLK
C4	Reserved
C5	GND
C6	VPP
C7	I/O
C8	Reserved

SIM COMMON DIMENSIONS			
SYMBOL	MIN	NOM	MAX
L	24.90	25.00	25.10
W	14.90	15.00	15.10
T	0.68	0.76	0.84

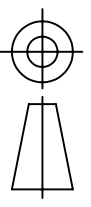


MICRO SD ASSOCIATION DIMENSION			
SYMBOL	MIN	NOM	MAX
A	10.90	11.00	11.10
A1	9.60	9.70	9.80
A2	0.50	0.60	0.70
B	14.90	15.00	15.10
B1	6.30	6.40	6.50
B2	7.80	7.90	8.00
B3	1.10	1.20	1.30
B4	0.42	0.52	0.62
B5	1.74	1.84	1.94
C	0.60	0.70	0.80
C1	0.00	-	0.15
C2	0.20	0.30	0.40
R1	0.20	0.40	0.60
R2	0.20	0.40	0.60
R3	0.70	0.80	0.90

NOTE:
 1. SWITCH TYPE: CARD OUT - SWITCH OPEN
 CARD IN - SWITCH CONTACT
 2. SET Distance "A" Min 0.20mm PACK GAP CONN

GENERAL TOLERANCE			UNITS		NAME	
SELECT	✓		mm			
TOL	1	2				
ON.						
X.XXX	±0.150,050,15		NONE			
X.XX	±0.200,130,25		NONE			
X.X	±0.250,25,0.5		NONE			
X.	±0.381,00		NONE			
ANGLE	±4°					
PART NO.			FINISH		TITLE:	
ATOM0100500500004			NONE		SIM+TF 2IN1 CONNECTOR 2.70mm HEIGHT	
APPD:			Q'TY		DWG NO.	
MIKE			NONE		2IN1 CARD	
CHKD:			DR:		SCALE	
Vicky			Nancy		1:1	
					SHEET	
					3 OF 3	
					REV	
					A	

ATOM TECHNOLOGY CO., LTD.



1 2 3 4 5 6 7 8